



Sovitron Interior Pvt.Ltd.



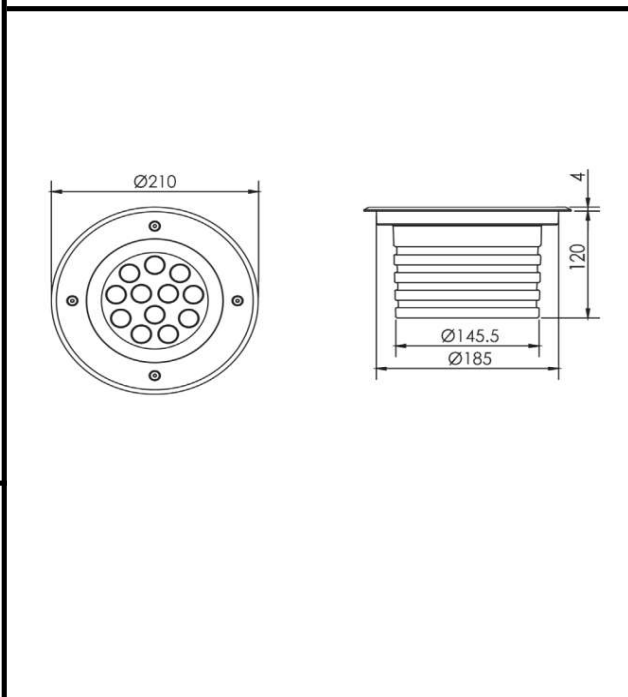
<b>Model Name</b>	URBANA-2112C / DL-OSL-2112CB-12
<b>Description</b>	Inground Light

Technical description	Image
-----------------------	-------

<b>Dimension</b>	Outer Dia=210mm Cutout=145mm H=120mm
<b>Frame</b>	Aluminum die cast
<b>Color Tempertaure</b>	3000K
<b>Power</b>	22W
<b>Total Luminous Flux</b>	1430 lm
<b>Efficacy</b>	65 lm/W
<b>IP rating</b>	67
<b>Color Rendering</b>	≥80
<b>Mounting</b>	Buried
<b>Beam angle</b>	5,12.5,20,30, 45, 60,15X30,10X60 Degree
<b>Optics</b>	Tempered glass
<b>Dimming</b>	NON-Dimmable
<b>Operating Voltage</b>	220-240 VAC
<b>Standard Lifetime</b>	L70 minimum at 50,000 burning hours



**Dimension diagram**



**Remarks:-**

**Address: Plot #7 Saroorpur-Nangla Industrial Area,Ballabgarh-Sohna Road,Faridabad-121005**  
**Email: info@sovitron.com**